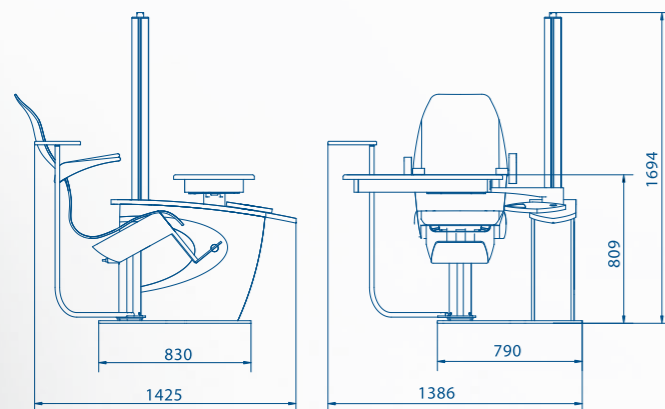


SPECIFICATIONS

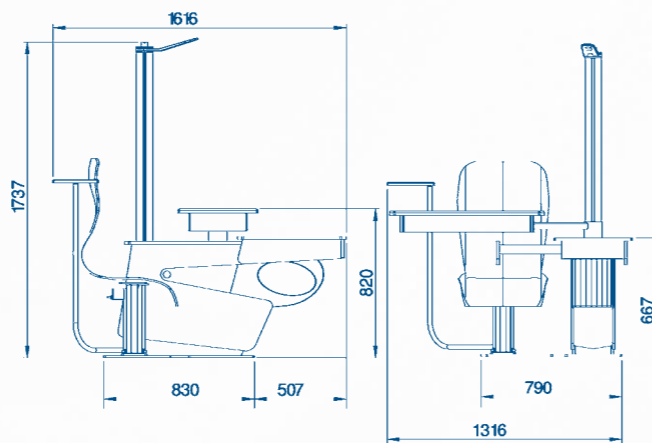
	TRU-1000	TRU-2000	TRU-2500
FEATURES			
Table	rotating 90°, laterally movable, for 2 units	rotating 90°, laterally movable, for 2 units	rotating 90°, laterally movable, for 2 units
Table height adjustment	no	no	electrical ±10 cm (82-92 cm)
Table lock	manual	manual	magnetic
Patient chair height approx.	SC-1000 44 cm, ER-1000 53 cm	SC-1000 44 cm, ER-1000 53 cm	SC-1000 44 cm, ER-1000 53 cm
Patient chair elevation	±15 cm	±15 cm	±15 cm
Nominal lifting capacity approx.	120 kg	120 kg	120 kg
Projector column height approx.	170 cm	170 cm	170 cm
Connectors	2x power outlet (230V), 1x RS-232, 1x 5-pin (6V/12V), 1x LAN, 1x USB 2.0	2x power outlet (230V), 1x RS-232, 1x 5-pin (6V/12V), 1x LAN, 1x USB 2.0	2x power outlet (230V), 1x RS-232, 1x 5-pin (6V/12V), 1x LAN, 1x USB 2.0
Overhead light	white LED 12V	white LED 12V	white LED 12V
Internal light	white LED 12V	RGB LED 12V	RGB LED 12V
ELECTRIC REQUIREMENTS & WEIGHT			
Power consumption	280VA	280VA	280VA
Power supply	110/115V AC / 230V AC ±10%	110/115V AC / 230V AC ±10%	110/115V AC / 230V AC ±10%
Total weight approx. (without chair)	172 kg	195 kg	215 kg

DIMENSIONS

TRU-1000



TRU-2000 / TRU-2500



2015/03 - subject to change without notice

REFRACTION UNITS TRU-1000 / TRU-2000 / TRU-2500

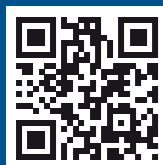
ADVANCED REFRACTION UNITS

DELIGHT IN SIGHT

Elegance, comfort,
performance.
Personified.



- Space-saving with drawer for trial lenses (TRU-2000 / TRU-2500)
- Personal touch with individual internal LED light (TRU-2000 / TRU-2500)
- Easy to install (right or left handed operation)
- Electrically controlled height adjustment of device table (TRU-2500)
- Comfortable motorised chairs with tilting action (ER-1000)
- Magnetic lock of device table (TRU-2500)



TOMEY EUROPE
TOMEY GmbH
Am Weichselgarten 19a
91058 Erlangen, Germany
Phone +49 9131 777 10
Fax +49 9131 777 120
Email info@tomey.de

TOMEY ASIA-PACIFIC
TOMEY CORPORATION JAPAN
2-11-33 Noritakeshinmachi
Nishi-ku, Nagoya 451-0051, Japan
Phone +81 52 581 5327
Fax +81 52 561 4735
Email intl@tomey.co.jp

TOMEY
TECHNOLOGY AND VISION

www.tomey.de

TOMEY
TECHNOLOGY AND VISION

The Tomey Refraction Units

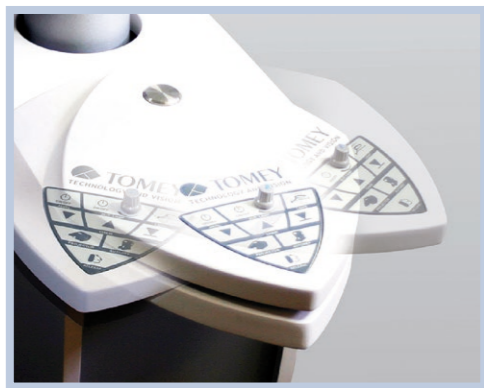


QUALITY IN DETAIL

Portray your clinical excellence confidently with one of the **Tomey refraction units**. Representing the ultimate combination of comfort, elegance and functionality, our **Tomey refraction units** deliver maximum flexibility and convenience in a remarkably compact footprint. Each model is preconfigured for Tomey equipment.

TRU-1000

Please choose your preferred chair and the phoropter arm as well. We have three different chairs and two phoropter arms (see pictures below and next page).



The rotatable control panel allows the user comfortable operation of the whole unit and the additional devices.



TRU-1000 with chair ER-1000, phoropter arm PA-1000 and trial lens cabinet TC-1000

CHAIRS

ER-1000R
Electrical reclinable and rotatable chair with arm and foot rest (weight 47 kg)

ER-1000
Electrical reclinable chair with arm and foot rest (weight 45 kg)

SC-1000
Standard chair, height adjustable (weight 18 kg)



ER-1000R

ER-1000

SC-1000

TRU-2500

The new TRU-2500 differs in these new features:

- electrical height adjustment of device table
- electro-magnetic break for device table
- incl. electrical reclinable & rotatable chair (manual rotation ± 30 degrees) ER-1000R



TRU-2500 incl. ER-1000R

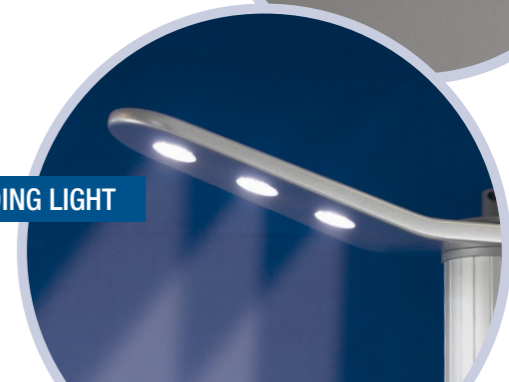
KEYBOARD

Multifunctional and intuitive



LED READING LIGHT

Bright and persistent



INTEGRATED DRAWER

e.g. for trial lenses

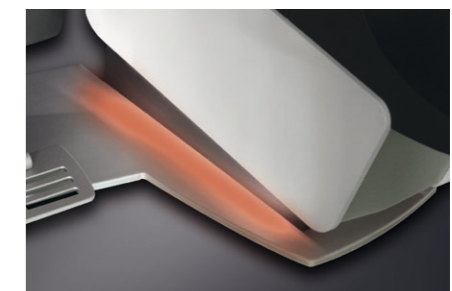
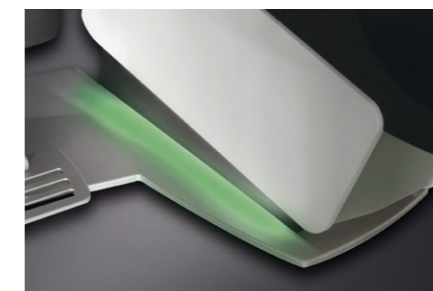
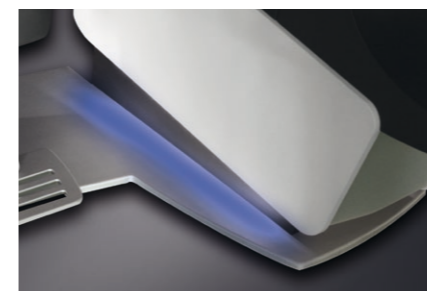


PHOROPTER ARMS



PA-1000
Phoropter arm „Balance“

PA-2000
Phoropter arm „Linear“



Individual colour adjustment due to RGB LED (colour sample)